



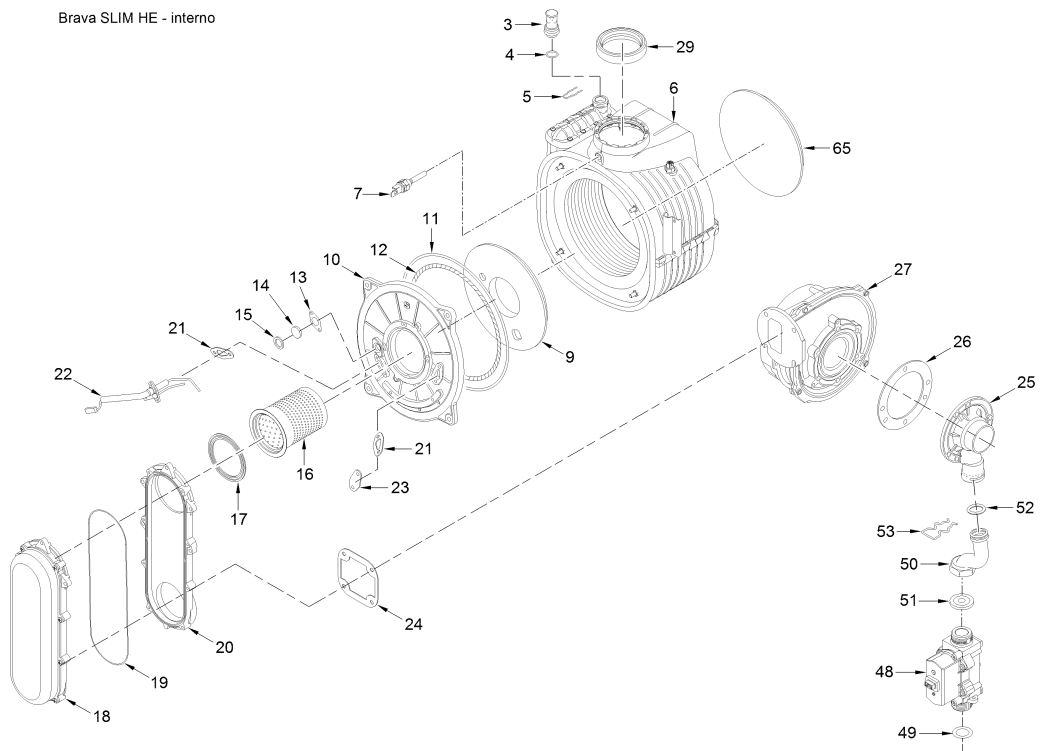
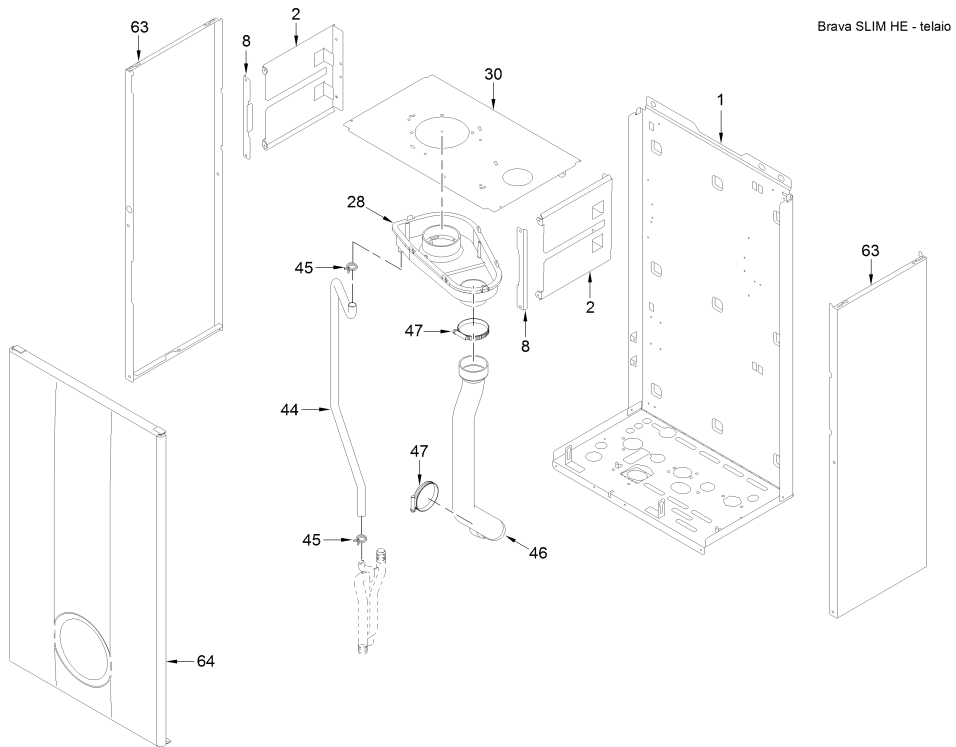
Fonderie Sime S.p.A. - Via Garbo, 27 - 37045 Legnago (VR) - www.sime.it
 Tribunale Verona 13531 - R.E.A. VR 171357 - C.C.P. 19423375 - N° Mecc. VR 014435
 Capitale Sociale Euro 5.521.200 int. versato - Codice Fiscale/Partita IVA n. IT 01275930236

Comfort Ambiente - Via Garbo, 27 - 37045 Legnago (VR)

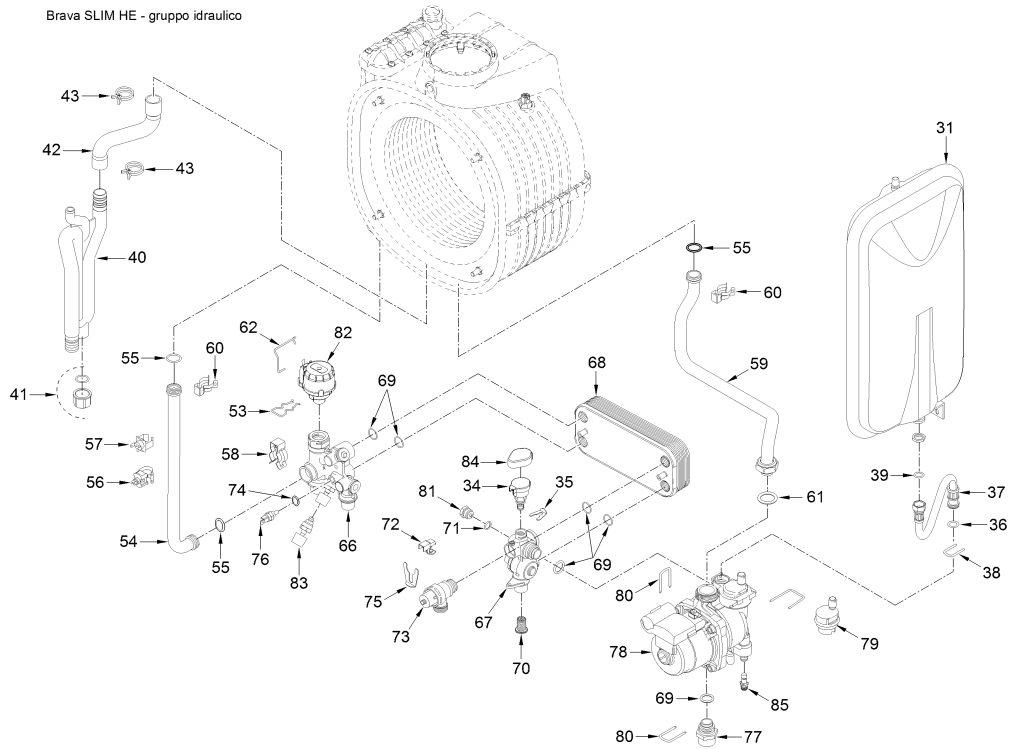
Tel +39 0442 631111 - Fax Servizio Commerciale: Italia +39 0442 631291 - Estero +39 0442 631293

Fax Servizio Tecnico +39 0442 631292 - Fax Ufficio Acquisti +39 0442 631292 - Fax Amministrazione +39 0442 631336

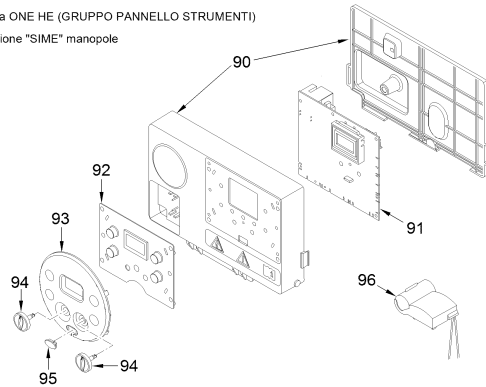
8112252 CALD.MET. BRAVA SLIM HE 30



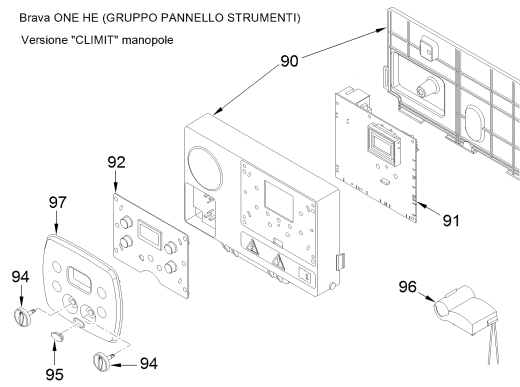
Brava SLIM HE - gruppo idraulico



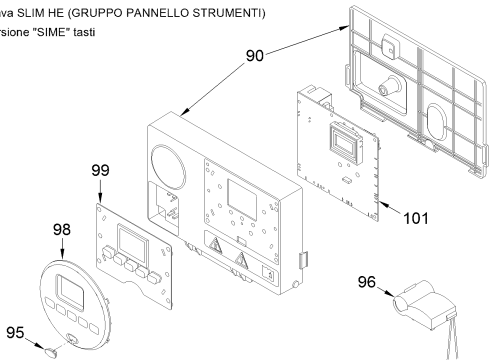
Brava ONE HE (GRUPPO PANNELLO STRUMENTI)
Versione "SIME" manopole



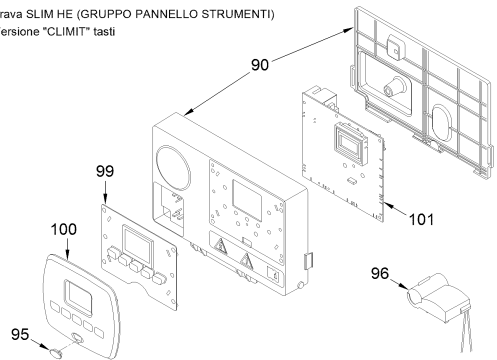
Brava ONE HE (GRUPPO PANNELLO STRUMENTI)
Versione "CLIMIT" manopole



Brava SLIM HE (GRUPPO PANNELLO STRUMENTI)
Versione "SIME" tasti



Brava SLIM HE (GRUPPO PANNELLO STRUMENTI)
Versione "CLIMIT" tasti



| Posiz. | Codice | Descrizione |
|--------|---------|--------------------------------|
| 001 | 6264560 | Boiler fixing bracket |
| 002 | 6010890 | Support exchangers bracket |
| 003 | 6147412 | Plug for air vent connection |
| 004 | 6226464 | O-ring 115 diam. 11,91x2,62 |
| 005 | 6226624 | Spring air vent knob |
| 006 | 6278913 | Main exchanger body |
| 007 | 6277130 | Probe NTC D.4X40 |
| 008 | 6010892 | Support exchangers bracket |
| 009 | 6269008 | Main exchanger door insulation |
| 010 | 5188360 | Main exchanger door |
| 011 | 6248870 | Combustion chamber O-ring |
| 012 | 6248871 | Glass fibre sealing cord |
| 013 | 6311810 | Glass fixing flange |
| 014 | 6020103 | Sight glass |
| 015 | 6248872 | Sight glass gasket |
| 016 | 6278370 | Premix burner |

| | | |
|------|---------|---------------------------------|
| 017 | 6174828 | Gasket for burner flange |
| 018 | 6278892 | Air-gas hose |
| 019 | 6174819 | Air-gas hose gasket |
| 020 | 6278891 | Side low air-gas hose |
| 021 | 6174809 | Gasket for ignition electrode |
| 022 | 6221670 | Ignition-ionisation electrode |
| 023 | 6285950 | Bracket |
| 024 | 6174816 | Gasket for fan flange |
| 025 | 6274390 | Air/gas mixer |
| 026 | 6028703 | Gasket for duct flange |
| 027 | 6261412 | Fan |
| 028 | 6278703 | Smoke chamber |
| 029 | 6248855 | P.C. inlet/outlet smokes gasket |
| 030 | 6291150 | Upper protection shield |
| 031 | 5183729 | Rectang. expans.vessel 9 l. 3/8 |
| 032 | 6146101 | Hydrometer |
| 033 | 6226628 | Hydrometer Fixing spring |
| 034 | 6273608 | Water pressure transducer |
| 035 | 6226639 | Spring clip |
| 036 | 6226476 | ORing diam.15x2 |
| 037 | 6017405 | Flexible pipe M.F. 3/8" L=300 |
| 038 | 6226643 | Pipe fixing spring |
| 039 | 2030226 | Gasket Ø 10,2x14,8x2 |
| 040 | 6277211 | Water trap |
| 041 | 6119381 | Cap G 1/2" |
| 042 | 6034155 | Condensate drainage pipe |
| 043 | 2051123 | Clamp diam. 24,2 |
| 044 | 1010215 | Rubber pipe dia. 15x2,5 |
| 045 | 2051120 | Clamp diam. 17,3 |
| 046 | 6001162 | Air intake pipe 40 |
| 047 | 2051203 | Hose clamp Ø 40-60 |
| 048 | 6243838 | Gas valve |
| 049 | 2030249 | Gasket Ø 24x17x3 |
| 050 | 6277445 | Pipe connecting gas valve-mixer |
| 051 | 6050471 | Nozzle 530 |
| 052 | 6226477 | Rubber gasket OR Ø 17x3 |
| 053 | 6226636 | D.H.W. elektrovalve fix.spring |
| 054 | 6227462 | Flowing pipe to C.H. system |
| 055 | 6226412 | O-ring 3068 |
| 056 | 6231372 | Temperature sensor |
| 057 | 6146729 | 100°C safety stat |
| 058 | 6226601 | Spring for heat exchanger conne |
| 059 | 6227539 | Return pipe from C.H. system |
| 060 | 6226619 | Spring for heat exchanger conne |
| 061 | 2030267 | Piracriten gasket Ø 30x17x2 |
| 062 | 6226638 | Divertor valve motor spring cli |
| 063 | 6304480 | casing left/right side panel |
| 064 | 6325010 | Casing front panel |
| 065 | 6281545 | Replacement rear insulat. kit |
| 066 | 6265870 | C.H. flow manifold |
| 067 | 6265830 | C.H. return manifold |
| 068A | 6265657 | 14 plate-type heat exchanger |
| 069 | 6226475 | ORing diam.18,64x3,53 |
| 070 | 6222003 | D.H.W. filter |
| 071 | 2030225 | Gasket Ø 5,5x11x2 |
| 072 | 6131440 | Flowmeter sensor |
| 073 | 6040225 | Pressure relief valve 1/2" 3 ba |
| 074 | 6022010 | Sensor gasket |
| 075 | 6226645 | Spring clip |
| 076 | 6231351 | Plunged sensor |
| 077 | 6120560 | Pump nipple 3/4" |
| 078 | 6272341 | Circulating pump |
| 079 | 6013182 | Automatic air vent |
| 080 | 6226644 | Spring clip for rotating connec |
| 081 | 6147401 | Plug 1/4" |
| 082 | 6087332 | Motor for diverting valve |
| 083 | 6319639 | Filling cock |
| 084 | 6319650 | Bitron transducer cap |
| 085 | 6319643 | Discharger cock |
| 090 | 6304720 | Control panel |
| 095 | 6305140 | Rubber cap |
| 096 | 6245380 | Pump connector |
| 098 | 6304831 | Interface panel |
| 099 | 6305131 | Rubber button |
| 101 | 6324920 | Main P.C.B. |
| 700 | 6281534 | Gaskets kit |
| 701 | 6319695 | Murelle-Format-.....o-ring kit |

| | | |
|-----|---------|--------------------------|
| 702 | 6211794 | Peephole kit |
| 704 | 5202550 | Complete control panel |
| 705 | 6323874 | 4 pole cable connector |
| 706 | 6323875 | 6 pole cable connector |
| 707 | 6323876 | 4 pole cable connector |
| 708 | 6323877 | 14 pole cable connector |
| 709 | 6323872 | 9 pole cable connector |
| 710 | 6323873 | 6 pole cable connector |
| 711 | 5202161 | Hydraulic group |
| 714 | 6319700 | Springs / clamps kit DIN |
| 715 | 6319644 | Flowmeter group |
| 716 | 6319645 | Three-way plates group |